

# 50x50x10 mm

8.4~13.8 CFM

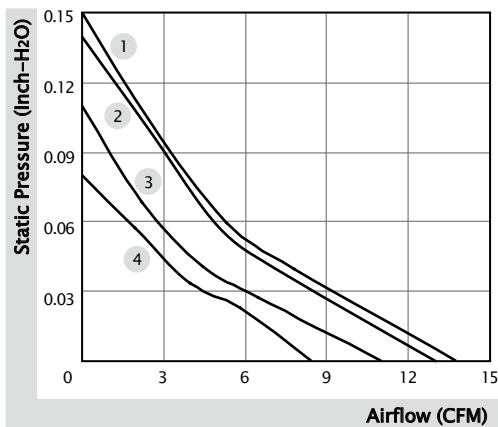


## ■ Specification

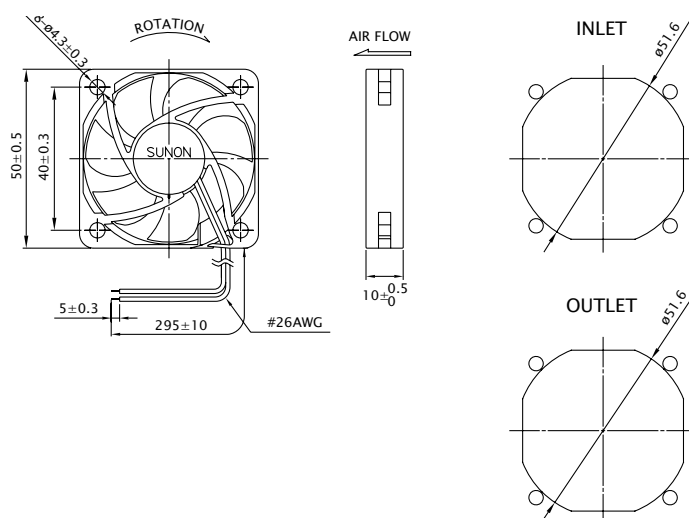
	Bearing	Rated Voltage	Power Current	Power Consumption	Speed	Airflow	Static Pressure	Noise	Weight	Curve
	● VAPO	(VDC)	(mA)	(WATTS)	(RPM)	(CFM)	(inch-H <sub>2</sub> O)	(dB(A))	(g)	
MF50100V1-10000-A99	●	5	155	0.78	5800	13.8	0.15	30.7	19.5	1
MF50100V2-10000-A99	●	5	85	0.43	4800	11.0	0.11	25.6	19.5	3
MF50100V3-10000-A99	●	5	75	0.38	4300	8.4	0.08	22.4	19.5	4
MF50101V1-10000-A99	●	12	70	0.84	5800	13.8	0.15	30.7	19.5	1
MF50101V2-10000-A99	●	12	50	0.60	4800	11.0	0.11	25.6	19.5	3
MF50101V3-10000-A99	●	12	37	0.45	4300	8.4	0.08	22.4	19.5	4
Model	○ 2BALL Sleeve	(VDC)	(mA)	(WATTS)	(RPM)	(CFM)	(inch-H <sub>2</sub> O)	(dB(A))	(g)	
EE50101S1-10000-999	○	12	90	1.08	5700	13.0	0.14	30.7	19.5	2
EE50101S2-10000-999	○	12	75	0.90	4700	11.0	0.11	25.6	19.5	3

■ Function (MF Series) R Type : F99 / F Type : G99  
(EE, EB Series) F Type : C99

## ■ Air Flow-Static Pressure Characteristics



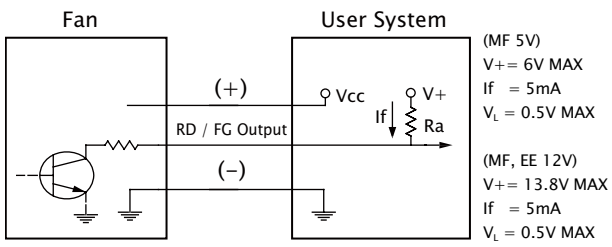
## ■ External dimensions(mm)



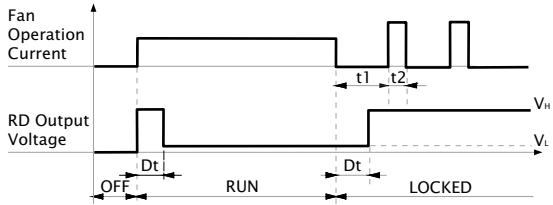
※ All model could be customized. Please contact with Sunon Sales.

※ Specifications are subject to change without notice. Please Visit SUNON website at [www.sunon.com](http://www.sunon.com) for update information.

■ RD / FG Output Signal



[ RD Signal ]



[ FG Signal ]

