

60x60x20 mm

16.0~30.5 CFM

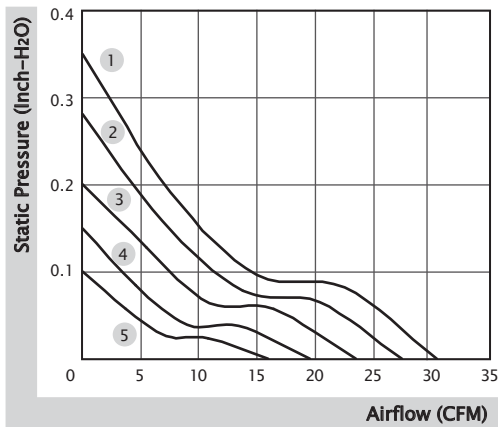


■ Specification

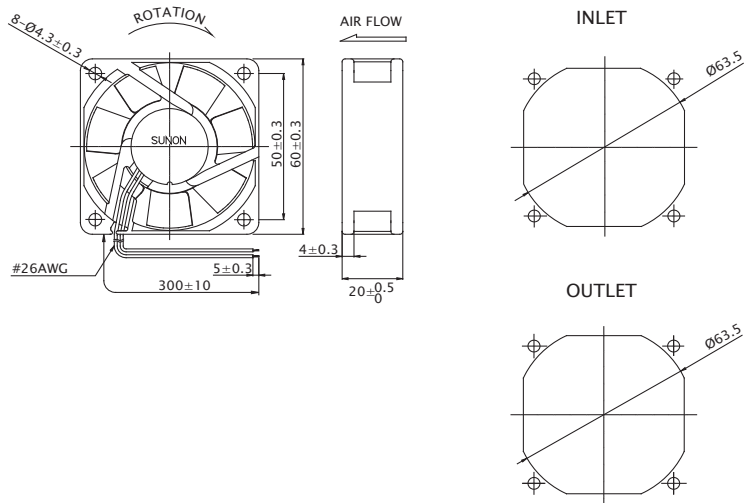
Model	Bearing	Rated Voltage	Power Current	Power Consumption	Speed	Airflow	Static Pressure	Noise	Weight	Curve
	2BALL Sleeve	(VDC)	(mA)	(WATTS)	(RPM)	(CFM)	(inch-H ₂ O)	(dB(A))	(g)	
PE60201BX-0000-A99	☉	12	230	2.76	5500	30.5	0.35	41.0	52.0	1
PE60201B1-0000-A99	☉	12	192	2.30	5000	27.5	0.28	39.0	52.0	2
PE60201B2-0000-A99	☉	12	148	1.78	4400	23.5	0.20	35.0	52.0	3
PE60201B3-0000-A99	☉	12	103	1.24	3600	19.5	0.15	30.0	52.0	4
PE60201B4-0000-A99	☉	12	81	0.97	3000	16.0	0.10	24.0	52.0	5

■ Function R Type : F99 / F Type : G99

■ Air Flow-Static Pressure Characteristics



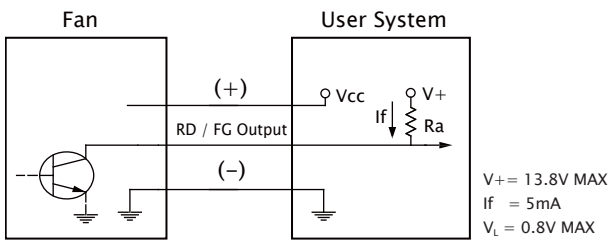
■ External Dimensions(mm)



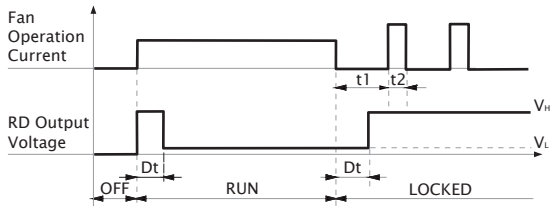
※ All model could be customized. Please contact with Sunon Sales.

※ Specifications are subject to change without notice. Please Visit SUNON website at www.sunon.com for update information.

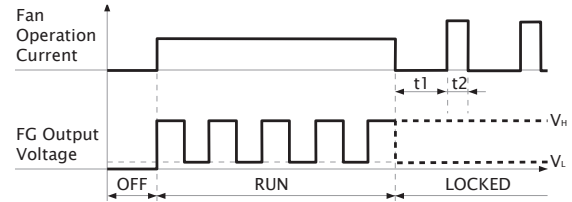
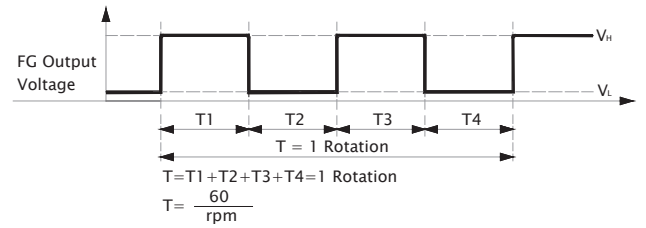
■ RD / FG Output Signal



[RD Signal]



[FG Signal]




60x60x20 mm

16.5~25.5 CFM

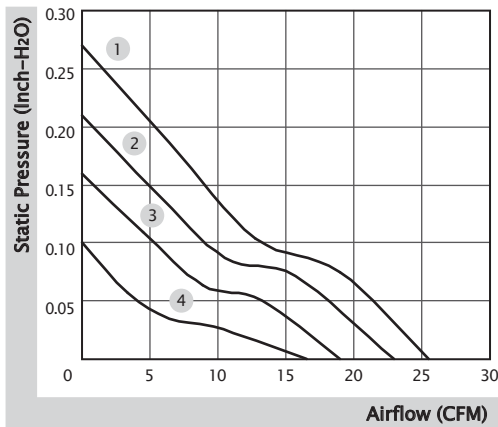


■ Specification

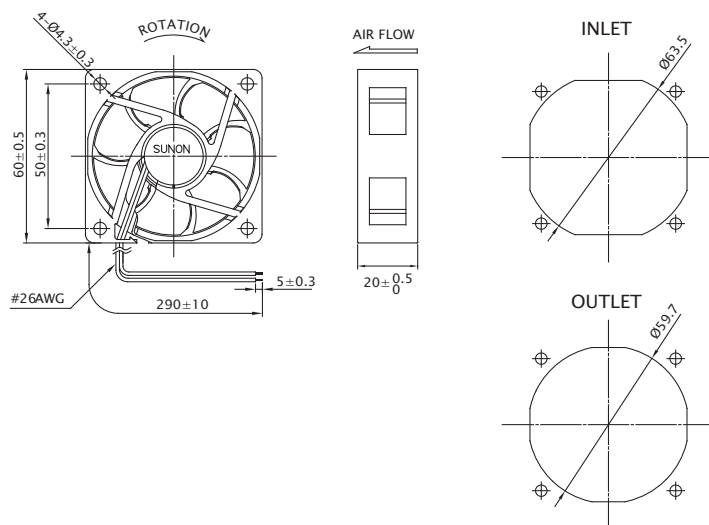
	Bearing	Rated Voltage	Power Current	Power Consumption	Speed	Airflow	Static Pressure	Noise	Weight	Curve
	● VAPO	(VDC)	(mA)	(WATTS)	(RPM)	(CFM)	(inch-H ₂ O)	(dB(A))	(g)	
MF60201VX-10000-A99	●	12	142	1.71	5700	25.5	0.27	39.0	50.0	1
MF60201V1-10000-A99	●	12	100	1.20	5000	23.0	0.21	33.5	50.0	2
MF60201V2-10000-A99	●	12	65	0.78	4200	19.0	0.16	28.0	50.0	3
MF60201V3-10000-A99	●	12	40	0.48	3100	16.5	0.10	21.0	50.0	4
MF60202VX-10000-A99	●	24	75	1.80	5700	25.5	0.27	39.0	50.0	1
MF60202V1-10000-A99	●	24	55	1.32	5000	23.0	0.21	33.5	50.0	2
MF60202V2-10000-A99	●	24	35	0.84	4200	19.0	0.16	28.0	50.0	3
MF60202V3-10000-A99	●	24	22	0.53	3100	16.5	0.10	21.0	50.0	4

■ Function R Type : F99 / F Type : G99

■ Air Flow-Static Pressure Characteristics



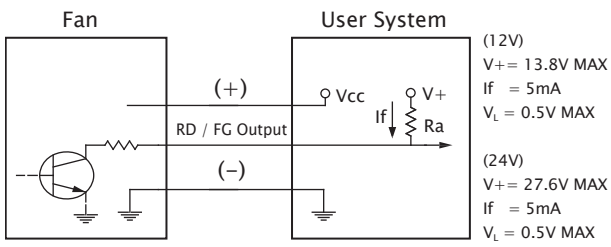
■ External Dimensions(mm)



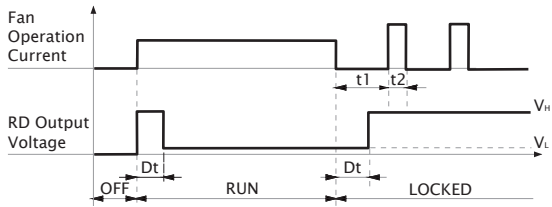
※ All model could be customized. Please contact with Sunon Sales.

※ Specifications are subject to change without notice. Please Visit SUNON website at www.sunon.com for update information.

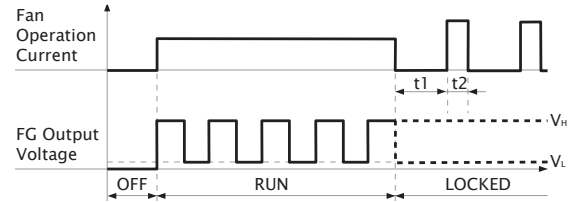
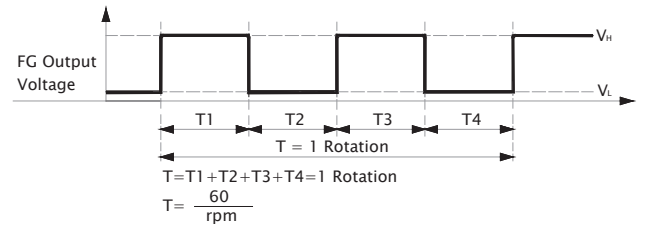
■ RD / FG Output Signal



[RD Signal]



[FG Signal]



60x60x20 mm

14.1~23.0 CFM

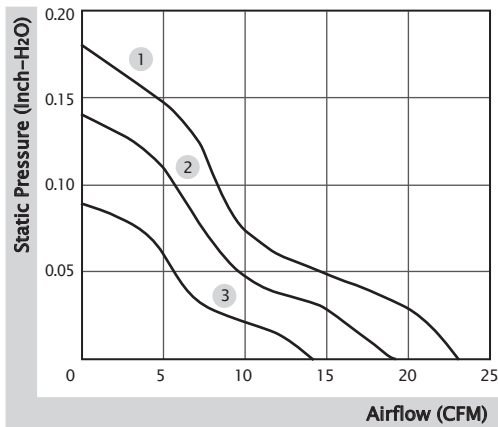


■ Specification

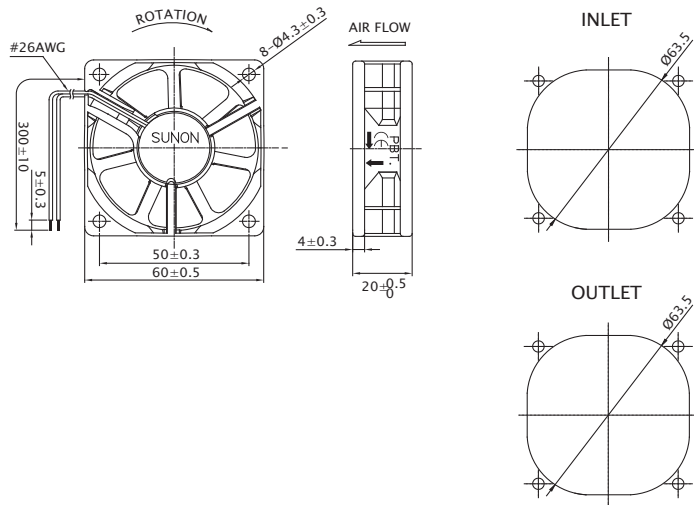
Model	Bearing	Rated Voltage	Power Current	Power Consumption	Speed	Airflow	Static Pressure	Noise	Weight	Curve
	2BALL Sleeve	(VDC)	(mA)	(WATTS)	(RPM)	(CFM)	(inch-H ₂ O)	(dB(A))	(g)	
EE60201B1-0000-999	☉	12	135	1.62	4500	23.0	0.18	34.5	52.0	1
EE60201B2-0000-999	☉	12	95	1.14	3700	19.0	0.14	29.0	52.0	2
EE60201B3-0000-999	☉	12	70	0.84	3000	14.1	0.09	24.5	52.0	3
EF60202B1-0000-A99	☉	24	60	1.44	4500	23.0	0.18	34.5	52.0	1
EF60202B2-0000-A99	☉	24	38	0.92	3700	19.0	0.14	29.0	52.0	2
EF60202B3-0000-A99	☉	24	23	0.56	3000	14.1	0.09	24.5	52.0	3

■ Function (12V) Auto Restart : A99 / R Type : F99 / F Type : C99, G99
 (24V) R Type : F99 / F Type : G99

■ Air Flow-Static Pressure Characteristics



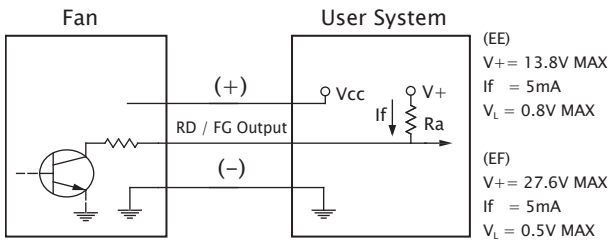
■ External Dimensions(mm)



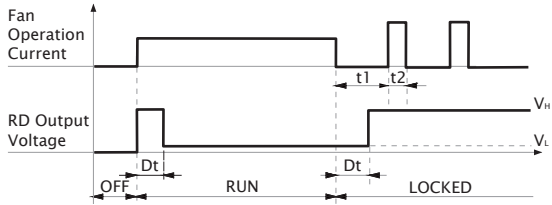
※ All model could be customized. Please contact with Sunon Sales.

※ Specifications are subject to change without notice. Please Visit SUNON website at www.sunon.com for update information.

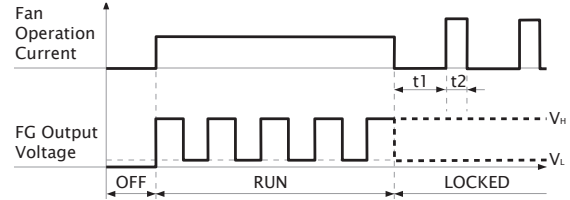
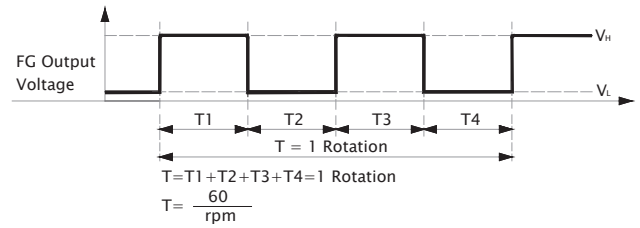
RD / FG Output Signal



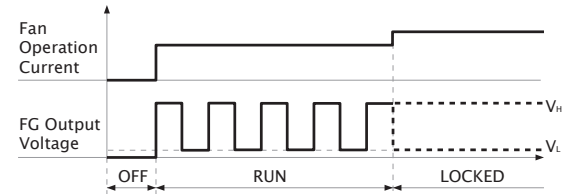
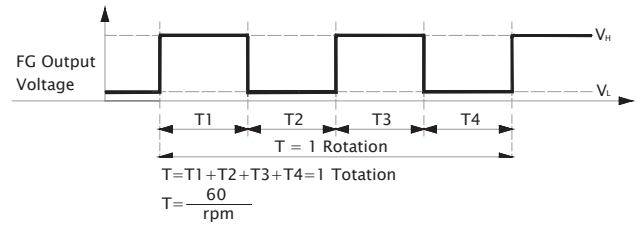
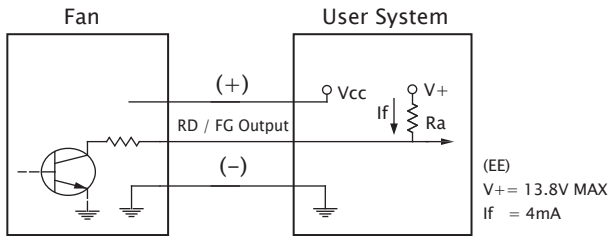
[RD Signal]



[FG Signal]



Non-Auto Restart (C99) FG Output Signal



60x60x20 mm

16.8~22.6 CFM

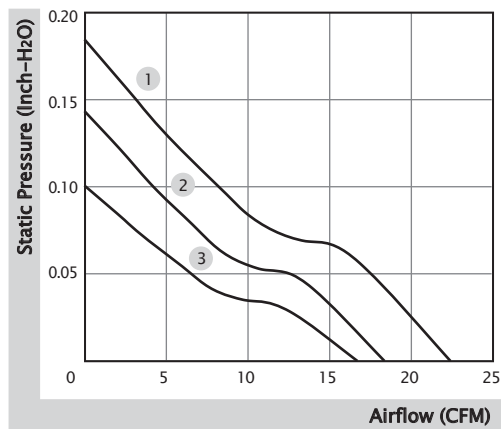


■ Specification

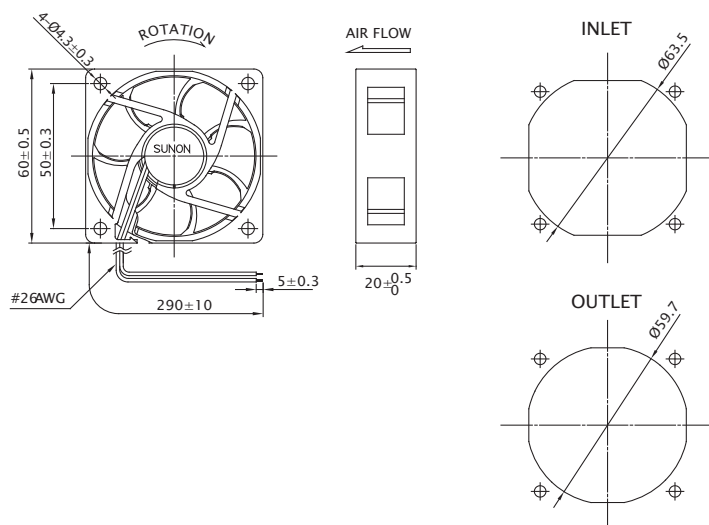
Model	Bearing	Rated Voltage	Power Current	Power Consumption	Speed	Airflow	Static Pressure	Noise	Weight	Curve
	2BALL Sleeve	(VDC)	(mA)	(WATTS)	(RPM)	(CFM)	(inch-H ₂ O)	(dB(A))	(g)	
EE60201S1-10000-999	○	12	115	1.38	4700	22.6	0.18	32.5	50.0	1
EE60201S2-10000-999	○	12	82	0.99	3900	18.5	0.14	26.3	50.0	2
EE60201S3-10000-999	○	12	58	0.70	3200	16.8	0.10	22.0	50.0	3

■ Function F Type : C99

■ Air Flow-Static Pressure Characteristics



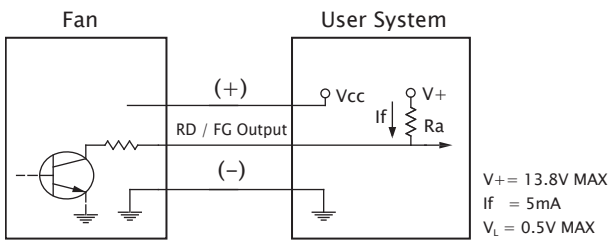
■ External Dimensions(mm)



※ All model could be customized. Please contact with Sunon Sales.

※ Specifications are subject to change without notice. Please Visit SUNON website at www.sunon.com for update information.

■ RD / FG Output Signal



[FG Signal]

