


80x80x25 mm

23.9 CFM

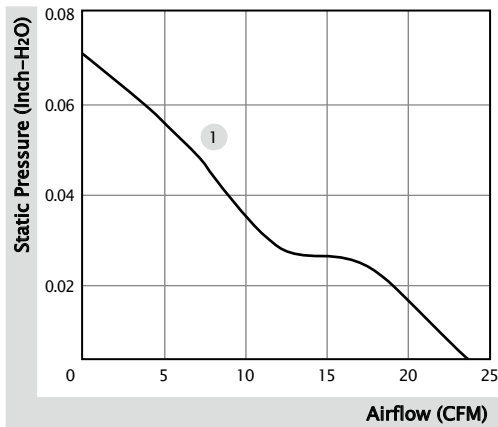


■ Specification

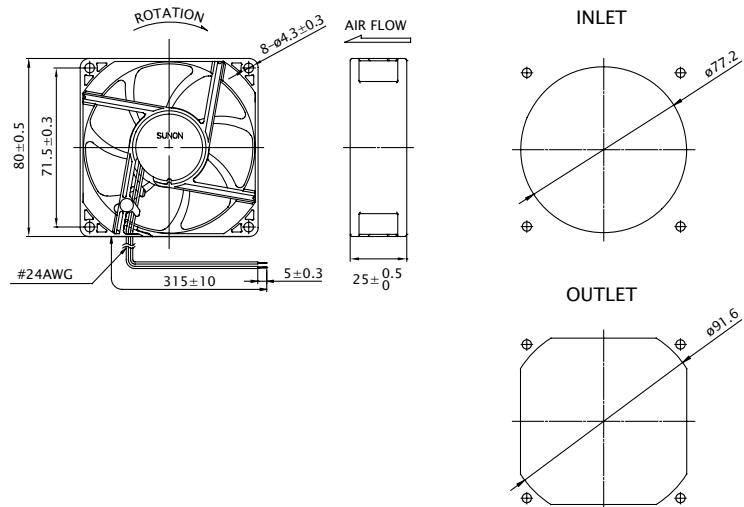
|  | Bearing | Rated Voltage | Power Current | Power Consumption | Speed | Airflow | Static Pressure | Noise | Weight | Curve |
|---|---------|---------------|---------------|-------------------|-------|---------|-------------------------|---------|--------|-------|
| | ● VAPO | (VDC) | (mA) | (WATTS) | (RPM) | (CFM) | (inch-H ₂ O) | (dB(A)) | (g) | |
| HA80251V4-10000-A99 | ● | 12 | 40 | 0.48 | 2000 | 23.9 | 0.07 | 20.4 | 75.0 | 1 |

■ Function F Type : G99

■ Air Flow-Static Pressure Characteristics



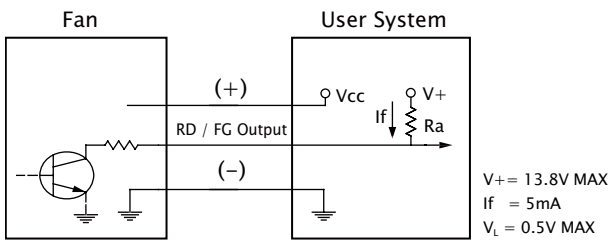
■ External dimensions(mm)



* All model could be customized. Please contact with Sunon Sales.

* Specifications are subject to change without notice. Please Visit SUNON website at www.sunon.com for update information.

■ RD / FG Output Signal



[FG Signal]

