

120x120x38 mm(IP21 / IP55)

90.1~109 CFM



■ Specifications

Model	Bearing	Rating Voltage	Freq.	Power Current	Power Consumption	Speed	Air Flow	Static Pressure	Noise	Weight
	● VAPO ○ BALL ○ Sleeve	(VAC)	(Hz)	(AMP)	(WATTS)	(RPM)	(CFM)	(Inch-H ₂ O)	(dB(A))	(g)
CF4113HBL-10000-A99	○	100-240	50 / 60	0.107 / 0.058	5.10	3600	109.0	0.37	44.9	265
CF4113HBT-10000-A99	○	100-240	50 / 60	0.107 / 0.058	5.10	3600	109.0	0.37	44.9	265
CF4113MBL-10000-A99	○	100-240	50 / 60	0.08 / 0.045	3.60	3100	90.1	0.31	40.2	265
CF4113MBT-10000-A99	○	100-240	50 / 60	0.08 / 0.045	3.60	3100	90.1	0.31	40.2	265

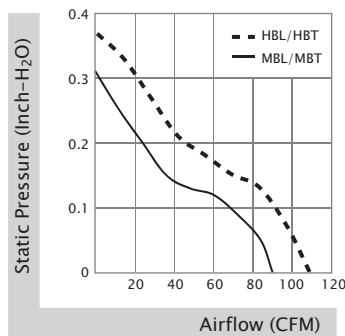
Frame : PBT Plastic

Safety : CE/TUV/UL/CUL

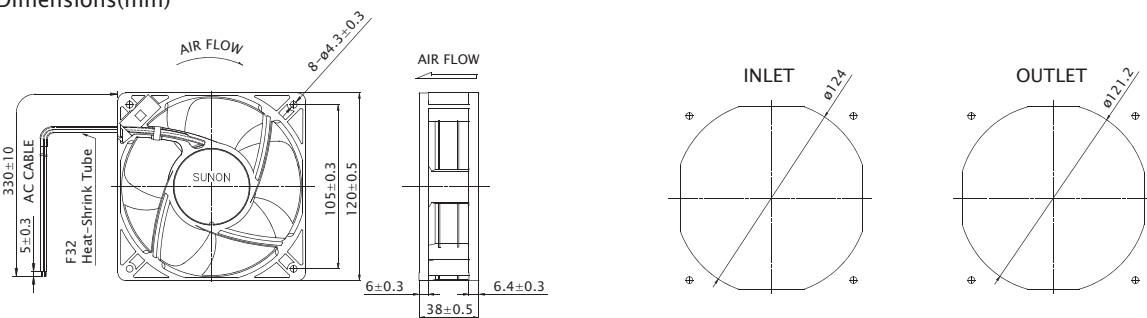
■ Function PWM : S99

■ Protection IP21 : AA9, SA9 IP55 : AB9, SB9

■ Air Flow-Static Pressure Characteristics



■ External Dimensions(mm)



*All model could be customized. Please contact with SUNON sales.

*Specifications are subject to change without notice. Please visit SUNON website at www.sunon.com for update information.

120x120x38 mm(IP68/ATEX)

64.3~109.0 CFM



■ Specifications

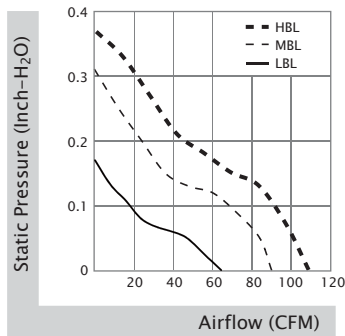
Model	Bearing	Rating Voltage	Freq.	Power Current	Power Consumption	Speed	Air Flow	Static Pressure	Noise	Weight
	● VAPO ○ BALL ○ Sleeve	(VAC)	(Hz)	(AMP)	(WATTS)	(RPM)	(CFM)	(Inch-H ₂ O)	(dB(A))	(g)
CF4113HBL-0000-AE9	○	100-240	50 / 60	0.081 / 0.056	5.10	3500	109.0	0.37	44.9	317
CF4113MBL-0000-AE9	○	100-240	50 / 60	0.061 / 0.037	3.40	3000	90.1	0.31	40.2	317
CF4113LBL-0000-AE9	○	100-240	50 / 60	0.037 / 0.022	1.80	2000	64.3	0.17	31.4	317

Frame : PBT Plastic

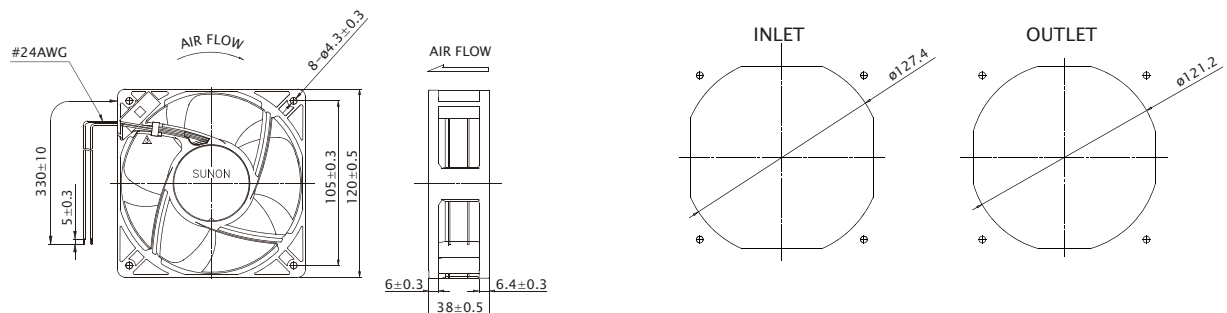
Safety : CE/TUV/UL/CUL

■ Protection IP55+ATEX : ABD IP68 +ATEX: AED

■ Air Flow-Static Pressure Characteristics



■ External Dimensions(mm)



*All model could be customized. Please contact with SUNON sales.

*Specifications are subject to change without notice. Please visit SUNON website at www.sunon.com for update information.