


92x92x25 mm

52.0~54.0 CFM



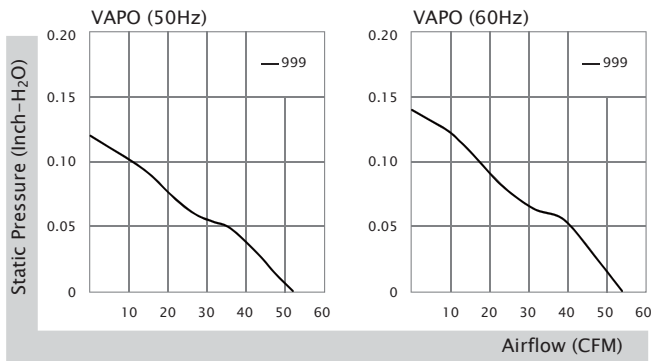
■ Specifications

	Bearing	Rating Voltage	Freq.	Power Current	Power Consumption	Speed	Air Flow	Static Pressure	Noise	Weight
	● VAPO ○ BALL ○ Sleeve	(VAC)	(Hz)	(AMP)	(WATTS)	(RPM)	(CFM)	(Inch-H ₂ O)	(dB(A))	(g)
CF1092HVL-10000-999	●	100-120	50/60	0.240/0.230	3.3/3.4	2800/2900	52.0/54.0	0.12/0.14	31.0/32.0	110.4
CF2092HVL-10000-999	●	200-240	50/60	0.249/0.264	3.8/4.2	2800/2900	52.0/54.0	0.12/0.14	31.0/32.0	110.4

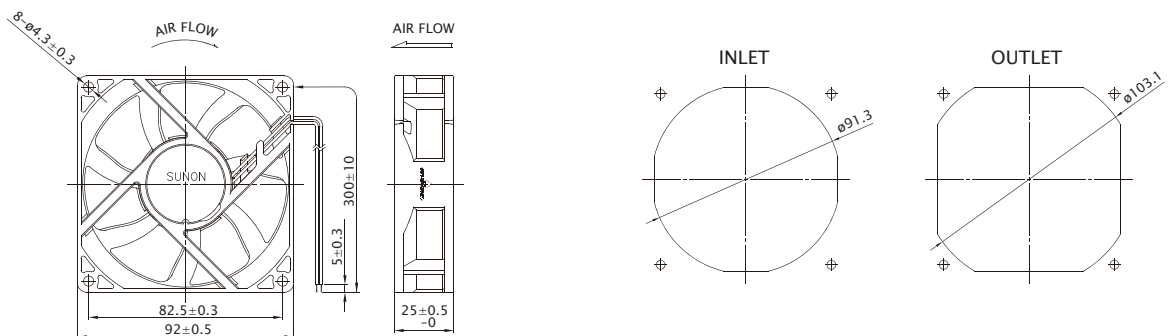
Frame : PBT Plastic

Safety : CE/TUV/UL/CUL

■ Air Flow-Static Pressure Characteristics



■ External Dimensions(mm)



*All model could be customized. Please contact with SUNON sales.

*Specifications are subject to change without notice. Please visit SUNON website at www.sunon.com for update information.