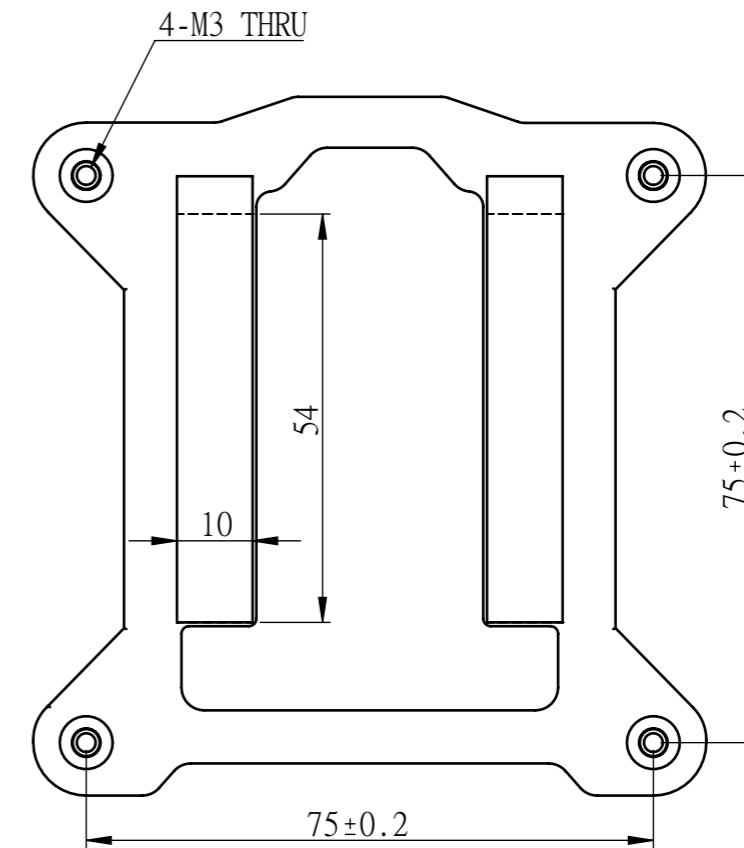
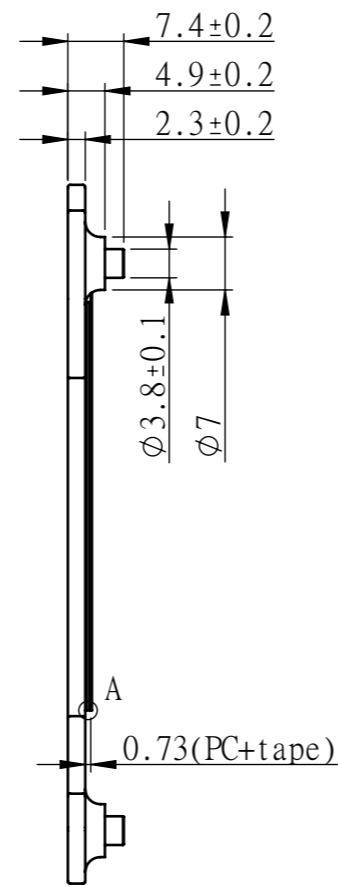
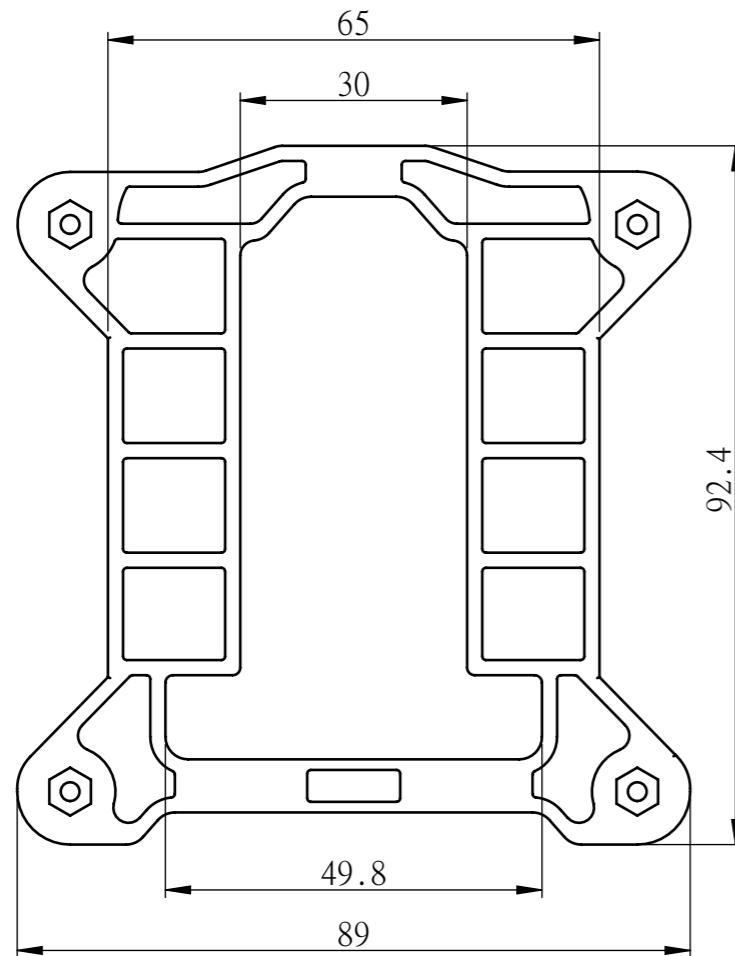
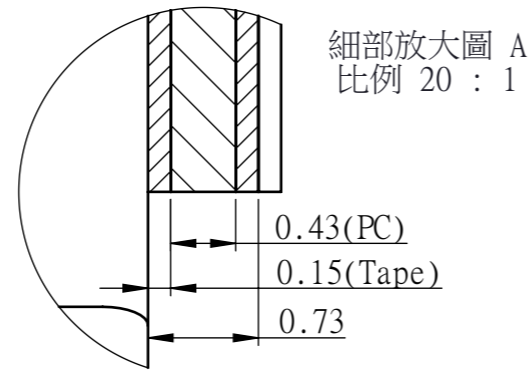


Assembly drawing

ITEM	PART NAME	DESCRIPTION	QTY
1	Plate	PBT_Black+Nut_89x92.4x7.4mm	1
2	DS-tape	PC_Black+tape_54x10x0.73mm	2



NOTE

1. 材質：背板PBT
2. 外觀顏色：黑色
3. 鎖附、黏貼作業不可有貼錯配件、漏鎖脫落之問題發生。



INVNI TECH DEVELOPING CORP.
NO.7, ALLEY 11, LANE 144, SEC.2, YEN-PING
NORTH ROAD, TAIPEI 103, TAIWAN R.O.C.
TEL:(02)2553-2001 FAX:(02)2553-2004
<http://www.invnitech.com>

DRAWING	Ian 2020/1/6	MODEL	ZO19055	REV	
CHECK	---	PART NO.	---	REV	R-0.2
APPROVED	---	SCALE	A3 1:1	UNIT	mm
SYMBOL	REDACTOR	DATE	DESCRIPTION		
△1	---	---	---		
△2	---	---	---		