


40x40x20 mm

6.3~10.8 CFM

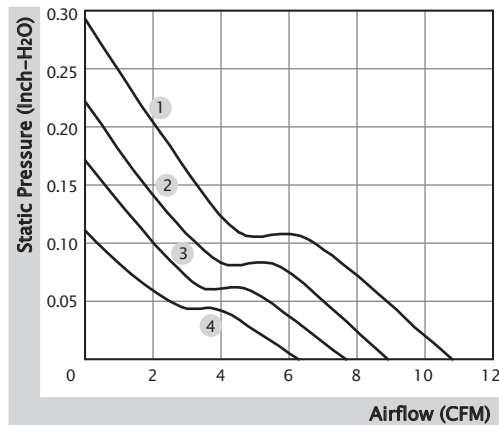


■ Specification

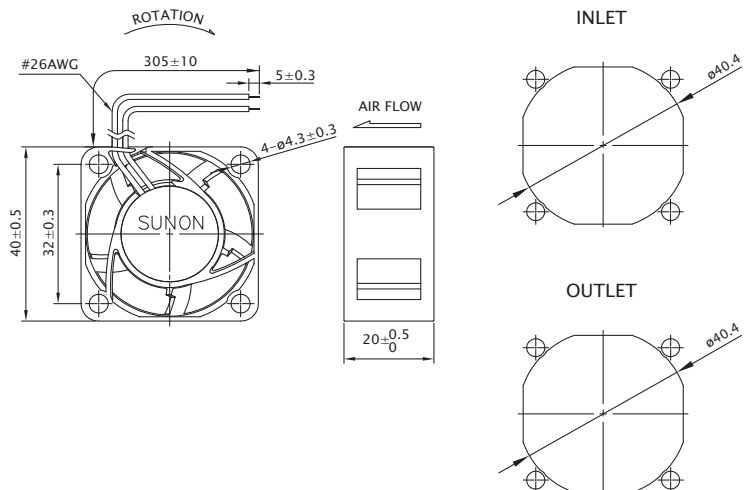
	Bearing	Rated Voltage	Power Current	Power Consumption	Speed	Airflow	Static Pressure	Noise	Weight	Curve
	● VAPO	(VDC)	(mA)	(WATTS)	(RPM)	(CFM)	(inch-H ₂ O)	(dB(A))	(g)	
MF40200V1-10000-A99	●	5	150	0.75	7000	8.9	0.22	25.5	29.0	2
MF40200V2-10000-A99	●	5	107	0.54	6000	7.7	0.17	21.0	29.0	3
MF40200V3-10000-A99	●	5	75	0.38	5000	6.3	0.11	16.5	29.0	4
MF40201VX-10000-A99	●	12	80	0.96	8000	10.8	0.29	27.5	29.0	1
MF40201V1-10000-A99	●	12	58	0.70	7000	8.9	0.22	25.5	29.0	2
MF40201V2-10000-A99	●	12	45	0.54	6000	7.7	0.17	21.0	29.0	3
MF40201V3-10000-A99	●	12	38	0.46	5000	6.3	0.11	16.5	29.0	4
MF40202VX-10000-A99	●	24	39	0.94	8000	10.8	0.29	27.5	29.0	1
MF40202V1-10000-A99	●	24	32	0.77	7000	8.9	0.22	25.5	29.0	2
MF40202V2-10000-A99	●	24	25	0.60	6000	7.7	0.17	21.0	29.0	3
Model	○ 2BALL Sleeve	(VDC)	(mA)	(WATTS)	(RPM)	(CFM)	(inch-H ₂ O)	(dB(A))	(g)	
EE40201SX-10000-999	○	12	105	1.26	8000	10.8	0.29	27.5	29.0	1
EE40201S1-10000-999	○	12	80	0.96	7000	8.9	0.22	25.5	29.0	2
EE40201S2-10000-999	○	12	63	0.76	6000	7.7	0.17	21.0	29.0	3
EE40201S3-10000-999	○	12	52	0.63	5000	6.3	0.11	16.5	29.0	4

■ Function (MF Series) R Type : F99 / F Type : G99
(EE Series) F Type : C99

■ Air Flow-Static Pressure Characteristics



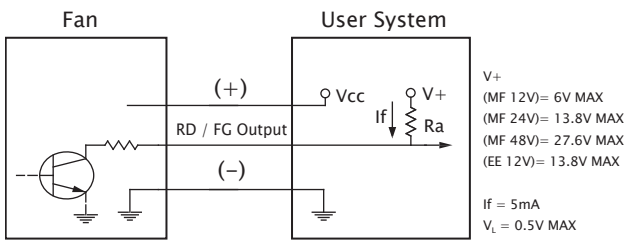
■ External Dimensions(mm)



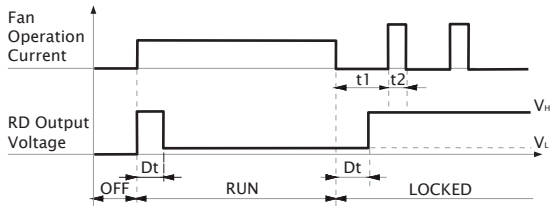
※ All model could be customized. Please contact with Sunon Sales.

※ Specifications are subject to change without notice. Please Visit SUNON website at www.sunon.com for update information.

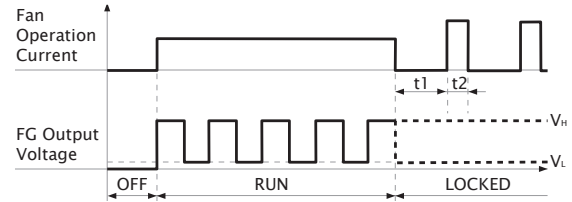
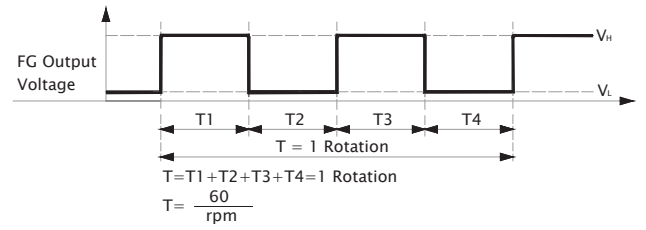
■ RD / FG Output Signal



[RD Signal]



[FG Signal]



40x40x20 mm

6.3~10.8 CFM

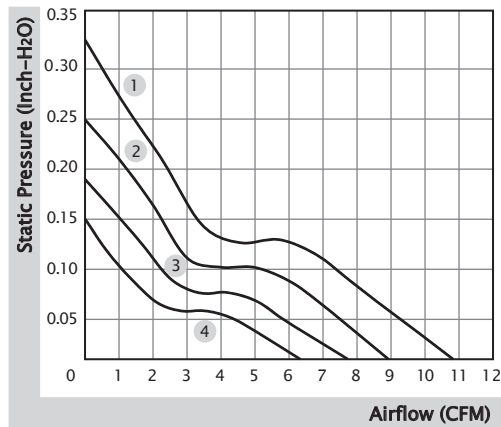


■ Specification

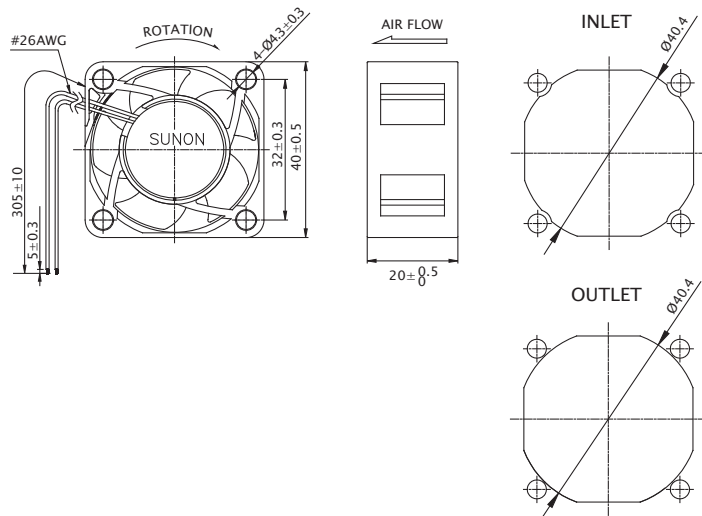
Model	Bearing	Rated Voltage	Power Current	Power Consumption	Speed	Airflow	Static Pressure	Noise	Weight	Curve
	2BALL Sleeve	(VDC)	(mA)	(WATTS)	(RPM)	(CFM)	(inch-H ₂ O)	(dB(A))	(g)	
EF40201BX-10000-A99	☉	12	65	0.78	8200	10.8	0.32	28.5	32.5	1
EF40201B1-10000-A99	☉	12	55	0.66	7200	8.9	0.24	24.5	32.5	2
EF40201B2-10000-A99	☉	12	40	0.48	6200	7.7	0.18	21.3	32.5	3
EF40201B3-10000-A99	☉	12	35	0.42	5200	6.3	0.14	16.2	32.5	4

■ Function R Type : F99 / F Type : G99 / PWM : H99, Q99, S99

■ Air Flow-Static Pressure Characteristics



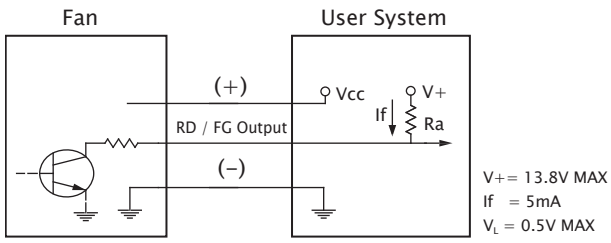
■ External Dimensions(mm)



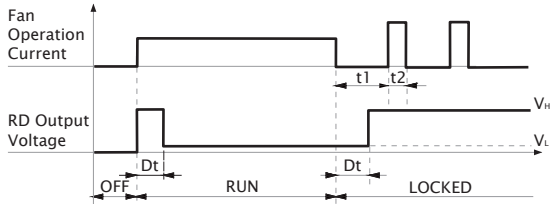
※ All model could be customized. Please contact with Sunon Sales.

※ Specifications are subject to change without notice. Please Visit SUNON website at www.sunon.com for update information.

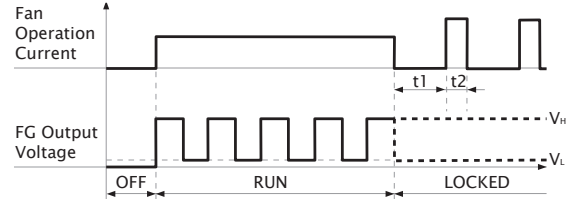
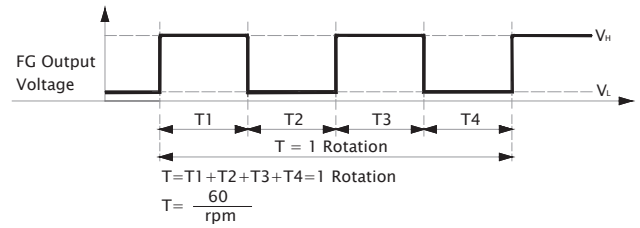
■ RD / FG Output Signal



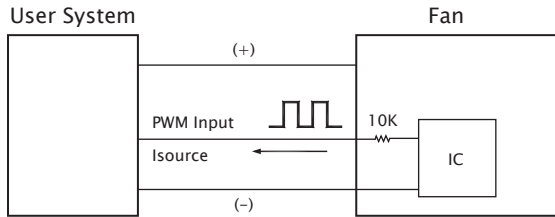
[RD Signal]



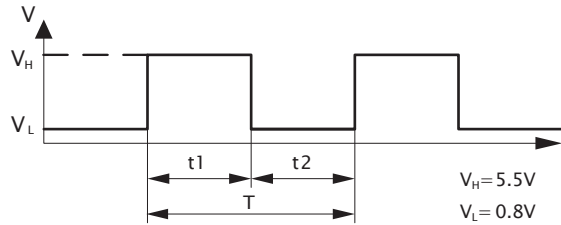
[FG Signal]



■ PWM Input Signal



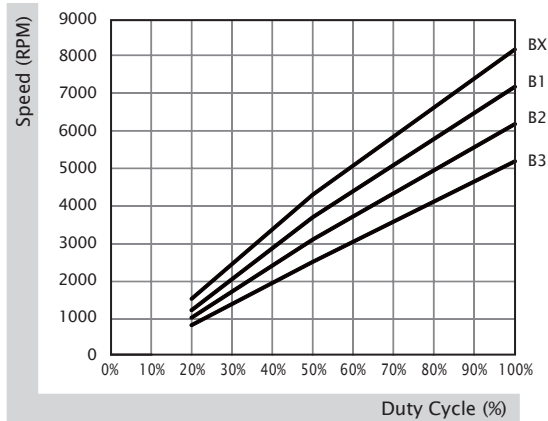
PWM FREQUENCY: 25KHZ
 Isource=0.6mA at PWM Input Voltage 0V
 The Speed is default to be maximum if PWM input pin is unconnected.
 Min. start up duty cycle is 20%.



1. Period : $T = \frac{1}{f_{PWM}} = t1 + t2(\text{sec})$

2. Duty Cycle (D.C.) : $\frac{t1}{t1+t2} \times 100 = \frac{t1}{T} \times 100(\%)$

■ PWM Curve




40x40x20 mm

5.5 CFM

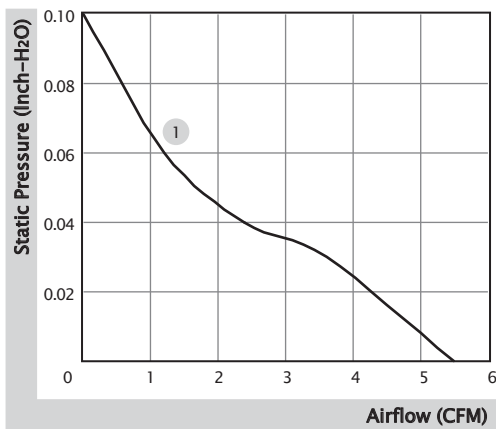


■ Specification

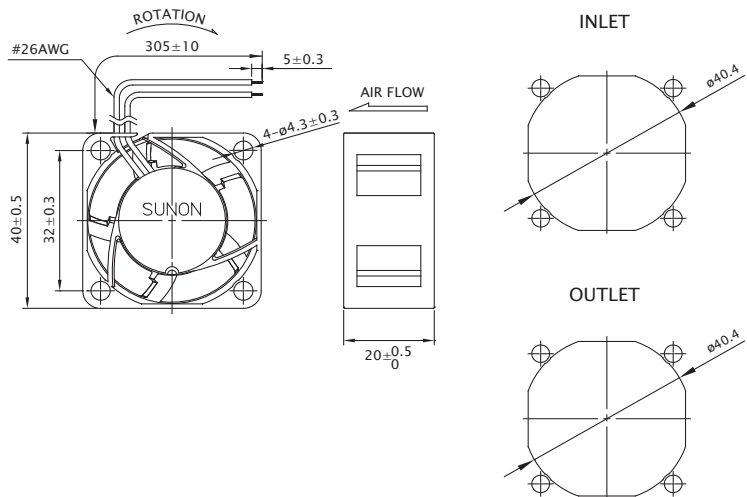
	Bearing	Rated Voltage	Power Current	Power Consumption	Speed	Airflow	Static Pressure	Noise	Weight	Curve
	● VAPO	(VDC)	(mA)	(WATTS)	(RPM)	(CFM)	(inch-H ₂ O)	(dB(A))	(g)	
HA40201V4-10000-A99	●	12	31	0.38	4500	5.5	0.10	12.3	30.6	1

■ Function F Type : G99

■ Air Flow-Static Pressure Characteristics



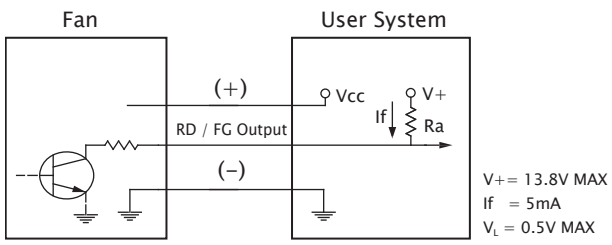
■ External Dimensions(mm)



※ All model could be customized. Please contact with Sunon Sales.

※ Specifications are subject to change without notice. Please Visit SUNON website at www.sunon.com for update information.

■ RD / FG Output Signal



[FG Signal]

