

80x80x38 mm

113.9~141.9 CFM

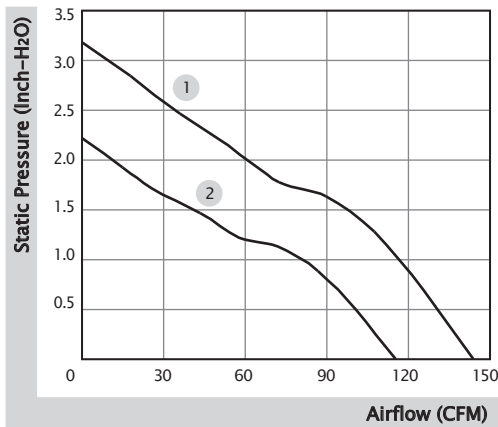


■ Specification

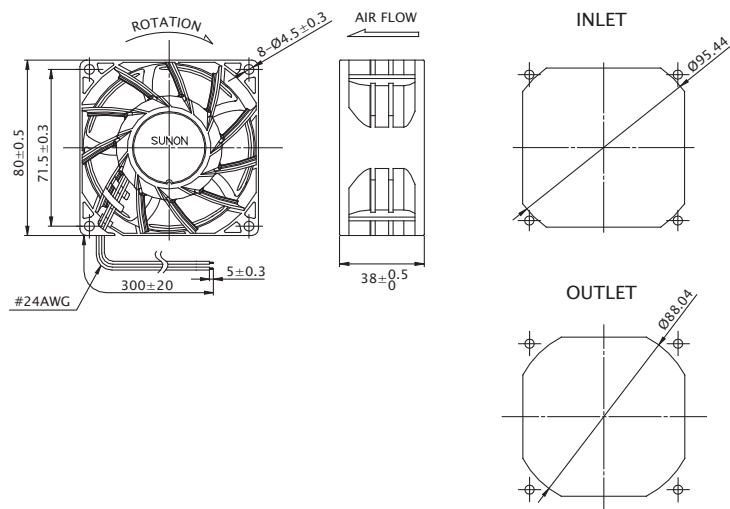
| Model | Bearing | Rated Voltage | Power Current | Power Consumption | Speed | Airflow | Static Pressure | Noise | Weight | Curve |
|--------------------|--------------|---------------|---------------|-------------------|-------|---------|-------------------------|---------|--------|-------|
| | 2BALL Sleeve | (VDC) | (mA) | (WATTS) | (RPM) | (CFM) | (inch-H ₂ O) | (dB(A)) | (g) | |
| PF80381BX-0000-A99 | ☉ | 12 | 4000 | 48.00 | 14000 | 141.9 | 3.20 | 72.1 | 195.0 | 1 |
| PF80381B1-0000-A99 | ☉ | 12 | 2000 | 24.00 | 11200 | 113.9 | 2.23 | 64.8 | 195.0 | 2 |

■ Function R Type : F99 / F Type : G99 / PWM : H99, Q99, S99

■ Air Flow-Static Pressure Characteristics



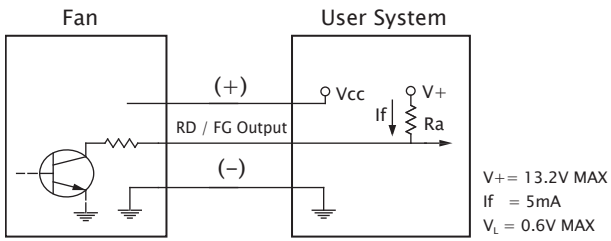
■ External Dimensions(mm)



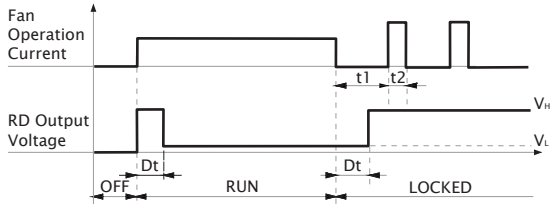
※ All model could be customized. Please contact with Sunon Sales.

※ Specifications are subject to change without notice. Please Visit SUNON website at www.sunon.com for update information.

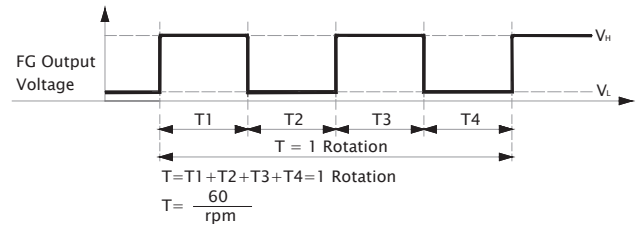
■ RD / FG Output Signal



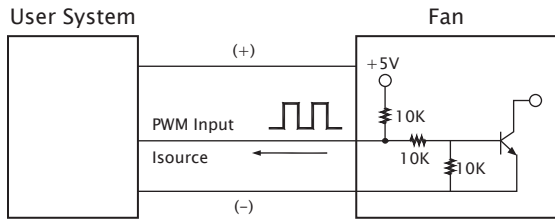
[RD Signal]



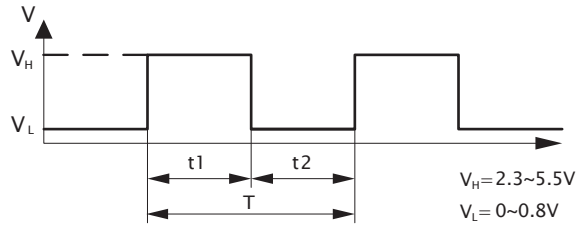
[FG Signal]



■ PWM Input Signal

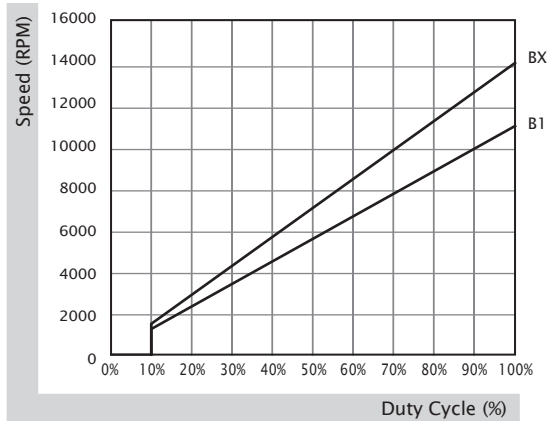


PWM FREQUENCY: 25KHZ
 Isource=0.5mA at PWM Input 0V
 The speed is default to be maximum if PWM input pin is unconnected.
 Min. start up duty cycle is 10%.



1. Period : $T = \frac{1}{f_{PWM}} = t1 + t2(\text{sec})$
2. Duty Cycle (D.C.) : $\frac{t1}{t1 + t2} \times 100 = \frac{t1}{T} \times 100(\%)$

■ PWM Curve



80x80x38 mm

105.8~134.3 CFM

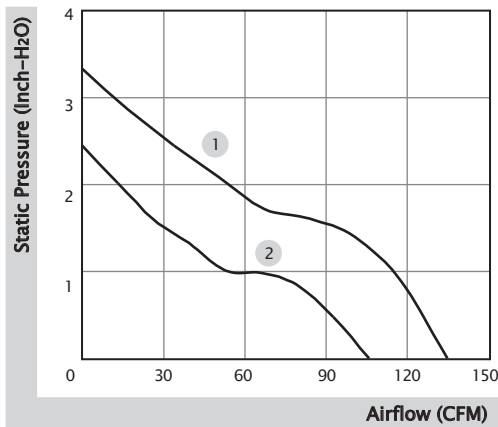


■ Specification

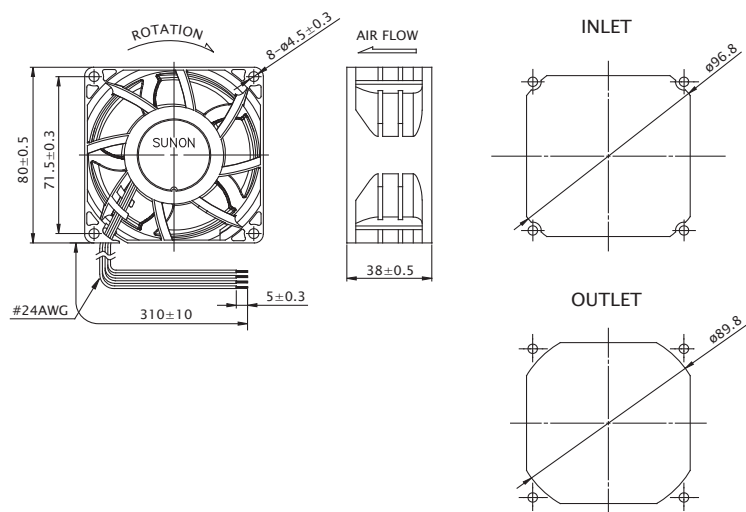
| Model | Bearing | Rated Voltage | Power Current | Power Consumption | Speed | Airflow | Static Pressure | Noise | Weight | Curve |
|--------------------|--------------|---------------|---------------|-------------------|-------|---------|-------------------------|---------|--------|-------|
| | 2BALL Sleeve | (VDC) | (mA) | (WATTS) | (RPM) | (CFM) | (inch-H ₂ O) | (dB(A)) | (g) | |
| PF80384BX-0000-A99 | ☉ | 48 | 700 | 33.60 | 12900 | 134.3 | 3.35 | 67.5 | 204.0 | 1 |
| PF80384B1-0000-A99 | ☉ | 48 | 380 | 18.24 | 10500 | 105.8 | 2.46 | 62.6 | 204.0 | 2 |

■ Function R Type : F99 / F Type : G99 / PWM : H99, Q99, S99

■ Air Flow-Static Pressure Characteristics



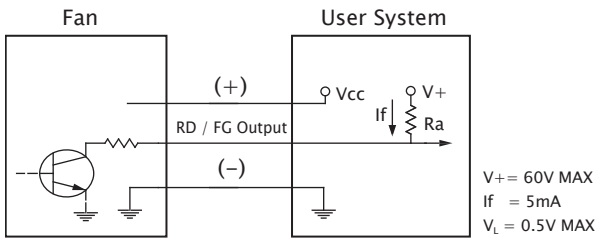
■ External Dimensions(mm)



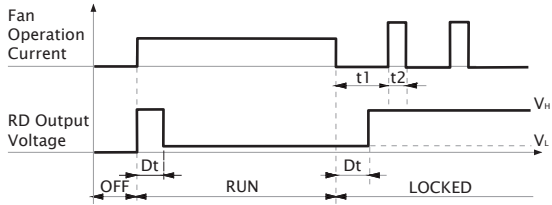
* All model could be customized. Please contact with Sunon Sales.

* Specifications are subject to change without notice. Please Visit SUNON website at www.sunon.com for update information.

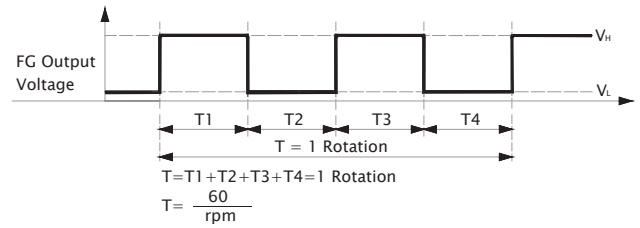
■ RD / FG Output Signal



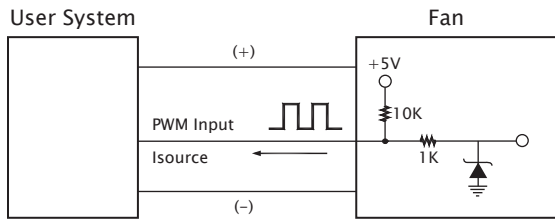
[RD Signal]



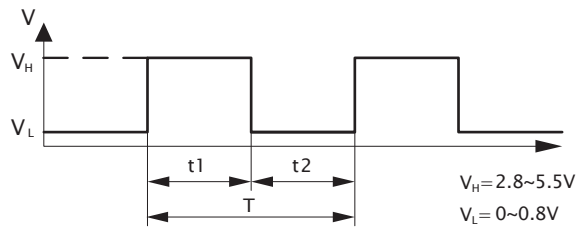
[FG Signal]



■ PWM Input Signal

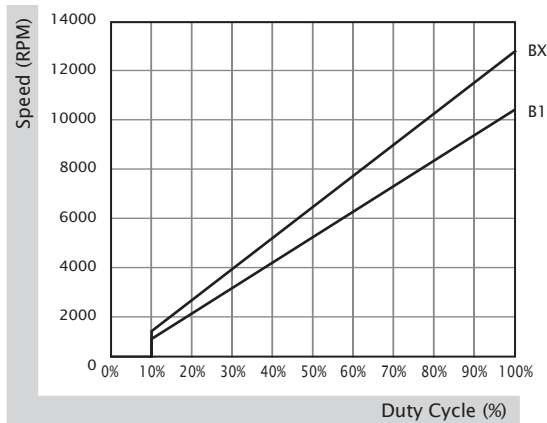


PWM FREQUENCY: 25KHZ
 Isource=0.5mA at PWM Input Voltage 0V
 The speed is default to be maximum if PWM input pin is unconnected.
 Min. start up duty cycle is 10%.



1. Period : $T = \frac{1}{f_{PWM}} = t1 + t2(\text{sec})$
2. Duty Cycle (D.C.) : $\frac{t1}{t1+t2} \times 100 = \frac{t1}{T} \times 100(\%)$

■ PWM Curve



80x80x38 mm

59.5~84.1 CFM

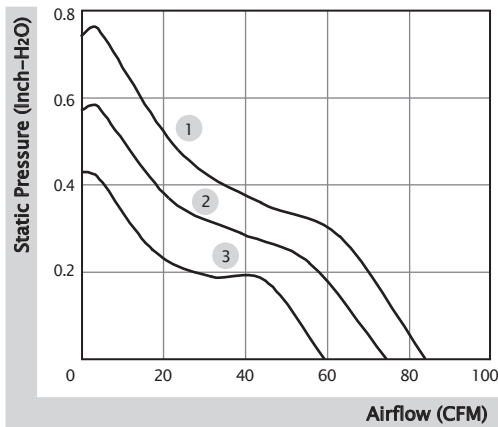


■ Specification

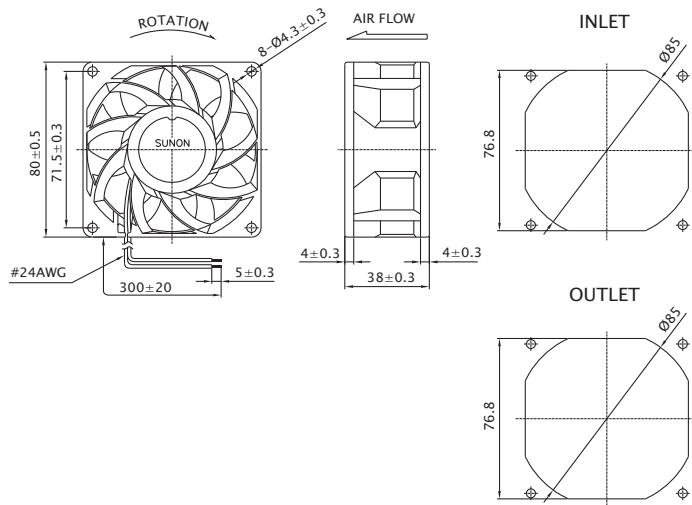
| Model | Bearing | Rated Voltage | Power Current | Power Consumption | Speed | Airflow | Static Pressure | Noise | Weight | Curve |
|----------------------|--------------|---------------|---------------|-------------------|-------|---------|-------------------------|---------|--------|-------|
| | 2BALL Sleeve | (VDC) | (mA) | (WATTS) | (RPM) | (CFM) | (inch-H ₂ O) | (dB(A)) | (g) | |
| PMD1208PMB1-A (2).GN | ☉ | 12 | 760 | 9.1 | 5700 | 84.1 | 0.74 | 55.2 | 175.0 | 1 |
| PMD1208PMB2-A (2).GN | ☉ | 12 | 530 | 6.4 | 4900 | 74.5 | 0.57 | 51.6 | 175.0 | 2 |
| PMD1208PMB3-A (2).GN | ☉ | 12 | 370 | 4.4 | 4200 | 59.5 | 0.43 | 47.3 | 175.0 | 3 |
| PMD2408PMB1-A (2).GN | ☉ | 24 | 400 | 9.6 | 5700 | 84.1 | 0.74 | 55.2 | 175.0 | 1 |
| PMD2408PMB2-A (2).GN | ☉ | 24 | 300 | 7.2 | 4900 | 74.5 | 0.57 | 51.6 | 175.0 | 2 |
| PMD2408PMB3-A (2).GN | ☉ | 24 | 200 | 4.8 | 4200 | 59.5 | 0.43 | 47.3 | 175.0 | 3 |

■ Function R Type : (2).R.GN / F Type : (2).F.GN

■ Air Flow-Static Pressure Characteristics



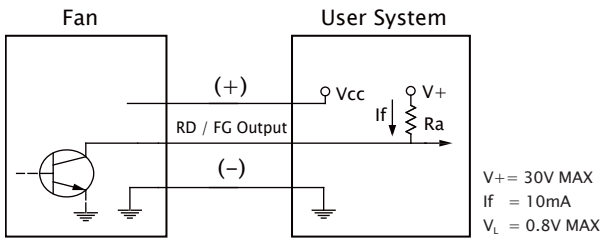
■ External Dimensions(mm)



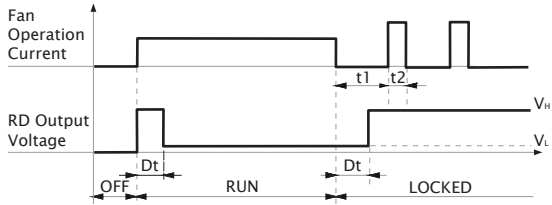
※ All model could be customized. Please contact with Sunon Sales.

※ Specifications are subject to change without notice. Please Visit SUNON website at www.sunon.com for update information.

■ RD / FG Output Signal



[RD Signal]



[FG Signal]

